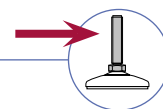
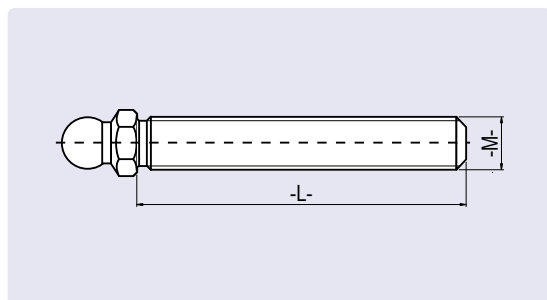


Cañas Roscadas para Pies Giratorios

Acero / Acero Inoxidable



Pies Niveladores



Descripción Caña roscada para pies niveladores giratorios

Material Acero Cincado / Acero Inoxidable

Rótula Movimiento Giratorio $\pm 20^\circ$

Caña Roscada M x L	Peso [g]	Llave Boca [mm]	Acero Cincado	Acero Inoxidable
M 6 x 15*	9,0	14	FCGA-6.15	FCGS-6.15
M 6 x 30*	11,0	14	FCGA-6.30	FCGS-6.30
M 8 x 40	36,0	14	FCGA-8.40	FCGS-8.40
M 8 x 80	49,0	14	FCGA-8.80	FCGS-8.80
M 10 x 45	45,0	14	FCGA-10.45	FCGS-10.45
M 10 x 70	55,0	14	FCGA-10.70	FCGS-10.70
M 10 x 90	68,0	14	FCGA-10.90	FCGS-10.90
M 10 x 125	84,0	14	FCGA-10.125	FCGS-10.125
M 10 x 150	92,0	14	FCGA-10.150	FCGS-10.150
M 12 x 45	55,0	14	FCGA-12.45	FCGS-12.45
M 12 x 66	70,0	14	FCGA-12.66	FCGS-12.66
M 12 x 100	94,0	14	FCGA-12.100	FCGS-12.100
M 12 x 125	112,0	14	FCGA-12.125	FCGS-12.125
M 12 x 150	130,0	14	FCGA-12.150	FCGS-12.150
M 14 x 66	85,0	14	FCGA-14.66	FCGS-14.66
M 14 x 100	119,0	14	FCGA-14.100	FCGS-14.100
M 14 x 125	138,0	14	FCGA-14.125	FCGS-14.125
M 14 x 150	166,0	14	FCGA-14.150	FCGS-14.150
M 16 x 66	112,0	17	FCGA-16.66	FCGS-16.66
M 16 x 100	156,0	17	FCGA-16.100	FCGS-16.100
M 16 x 125	190,0	17	FCGA-16.125	FCGS-16.125
M 16 x 150	222,0	17	FCGA-16.150	FCGS-16.150
M 16 x 200	285,0	17	FCGA-16.200	FCGS-16.200
M 20 x 85	208,0	22	FCGA-20.85	FCGS-20.85
M 20 x 100	237,0	22	FCGA-20.100	FCGS-20.100
M 20 x 125	297,0	22	FCGA-20.125	FCGS-20.125
M 20 x 150	341,0	22	FCGA-20.150	FCGS-20.150
M 20 x 200	447,0	22	FCGA-20.200	FCGS-20.200
M 24 x 85	293,0	17	FCGA-24.85	FCGS-24.85
M 24 x 100	336,0	17	FCGA-24.100	FCGS-24.100
M 24 x 125	408,0	17	FCGA-24.125	FCGS-24.125
M 24 x 150	483,0	17	FCGA-24.150	FCGS-24.150
M 24 x 200	633,0	17	FCGA-24.200	FCGS-24.200

* Caña roscada con rótula de nylon

Otras medidas bajo consulta.