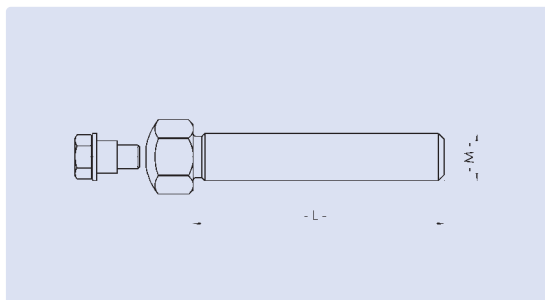
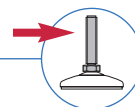


Cañas Roscadas para Pies Pivotantes

Acero / Acero Inoxidable



- Descripción** Caña roscada para pies niveladores pivotantes
- Material** Acero Cincado / Acero Inoxidable
- Unión del Tornillo** Movimiento Pivotante $\pm 4^\circ$

Caña Roscada M x L	Peso [g]	Llave Boca [mm]	Acero Cincado	Acero Inoxidable
M 12 x 66	70,0	22	FCPA-12.66	FCPS-12.66
M 12 x 100	94,0	22	FCPA-12.100	FCPS-12.100
M 12 x 125	127,0	22	FCPA-12.125	FCPS-12.125
M 12 x 150	130,0	22	FCPA-12.150	FCPS-12.150
M 16 x 66	112,0	22	FCPA-16.66	FCPS-16.66
M 16 x 100	152,0	22	FCPA-16.100	FCPS-16.100
M 16 x 125	173,0	22	FCPA-16.125	FCPS-16.125
M 16 x 150	235,0	22	FCPA-16.150	FCPS-16.150
M 16 x 200	315,0	22	FCPA-16.200	FCPS-16.200
M 20 x 100	237,0	22	FCPA-20.100	FCPS-20.100
M 20 x 125	255,0	22	FCPA-20.125	FCPS-20.125
M 20 x 150	341,0	22	FCPA-20.150	FCPS-20.150
M 20 x 200	447,0	22	FCPA-20.200	FCPS-20.200
M 24 x 100	342,0	24	FCPA-24.100	FCPS-24.100
M 24 x 150	477,0	24	FCPA-24.150	FCPS-24.150
M 24 x 200	631,0	24	FCPA-24.200	FCPS-24.200
M 30 x 100	512,0	24	FCPA-30.100	FCPS-30.100
M 30 x 150	744,0	24	FCPA-30.150	FCPS-30.150
M 30 x 200	976,0	24	FCPA-30.200	FCPS-30.200

Otras medidas bajo consulta