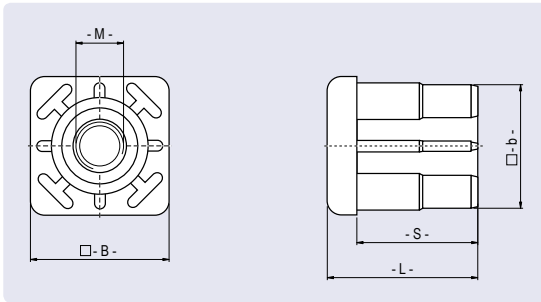


Casquillos Roscados Moldeados para Tubos Cuadrados

Nylon, con rosca moldeada

Threaded Bush for Square Tubes

Nylon, with Moulded Thread



Aplicación Application



Descripción Para fijar pies niveladores a tubos cuadrados que no permitan ser roscados

Material Nylon reforzado con fibra de vidrio

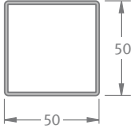
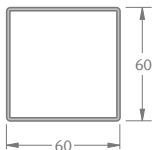
Color Negro (otros colores bajo consulta)

Description To fit levelling feet to square, non-threaded tubes

Material Fibreglass reinforced nylon

Colour Black (other colours on request)

Casquillos Roscad. Threaded Bushes	Tubo Cuadrado [mm] Square Tube [mm]	M [mm]	B [mm]	b [mm]	L [mm]	S [mm]	Carga Máx. [kg] Max. load [kg]	Referencia Part N°
	30 x 30 x 1,5	M10	30	27,5	33	27	500	FCRCM-30.1.5.10
	30 x 30 x 1,5	M12	30	27,5	33	27	500	FCRCM-30.1.5.12
	30 x 30 x 1,5	M14	30	27,5	33	27	500	FCRCM-30.1.5.14
	30 x 30 x 1,5	M16	30	27,5	33	27	500	FCRCM-30.1.5.16
	30 x 30 x 2,0	M10	30	26,5	33	27	500	FCRCM-30.2.10
	30 x 30 x 2,0	M12	30	26,5	33	27	500	FCRCM-30.2.12
	30 x 30 x 2,0	M14	30	26,5	33	27	500	FCRCM-30.2.14
	30 x 30 x 2,0	M16	30	26,5	33	27	500	FCRCM-30.2.16
	40 x 40 x 1,5	M10	40	37,5	43	35	600	FCRCM-40.1.5.10
	40 x 40 x 1,5	M12	40	37,5	43	35	600	FCRCM-40.1.5.12
	40 x 40 x 1,5	M14	40	37,5	43	35	600	FCRCM-40.1.5.14
	40 x 40 x 1,5	M16	40	37,5	43	35	600	FCRCM-40.1.5.16
	40 x 40 x 1,5	M20	40	37,5	43	35	600	FCRCM-40.1.5.20
	40 x 40 x 2,0	M10	40	36,5	43	35	600	FCRCM-40.2.10
	40 x 40 x 2,0	M12	40	36,5	43	35	600	FCRCM-40.2.12
	40 x 40 x 2,0	M14	40	36,5	43	35	600	FCRCM-40.2.14
	40 x 40 x 2,0	M16	40	36,5	43	35	600	FCRCM-40.2.16
	40 x 40 x 2,0	M20	40	37,5	43	35	600	FCRCM-40.2.20
	40 x 40 x 2,5	M10	40	35,5	43	35	600	FCRCM-40.2.5.10
	40 x 40 x 2,5	M12	40	35,5	43	35	600	FCRCM-40.2.5.12
	40 x 40 x 2,5	M14	40	35,5	43	35	600	FCRCM-40.2.5.14
	40 x 40 x 2,5	M16	40	35,5	43	35	600	FCRCM-40.2.5.16
	40 x 40 x 2,5	M20	40	35,5	43	35	600	FCRCM-40.2.5.20
	40 x 40 x 3,0	M10	40	34,5	43	35	600	FCRCM-40.3.10
	40 x 40 x 3,0	M12	40	34,5	43	35	600	FCRCM-40.3.12
	40 x 40 x 3,0	M14	40	34,5	43	35	600	FCRCM-40.3.14
	40 x 40 x 3,0	M16	40	34,5	43	35	600	FCRCM-40.3.16
	40 x 40 x 3,0	M20	40	34,5	43	35	600	FCRCM-40.3.20
	40 x 40 x 4,0	M10	40	32,5	43	35	600	FCRCM-40.4.10
	40 x 40 x 4,0	M12	40	32,5	43	35	600	FCRCM-40.4.12
	40 x 40 x 4,0	M14	40	32,5	43	35	600	FCRCM-40.4.14
	40 x 40 x 4,0	M16	40	32,5	43	35	600	FCRCM-40.4.16
	40 x 40 x 4,0	M20	40	32,5	43	35	600	FCRCM-40.4.20

Casquillos Roscad. Threaded Bushes	Tubo Cuadrado [mm] Square Tube [mm]	M [mm]	B [mm]	b [mm]	L [mm]	S [mm]	Carga Máx. [kg] Max. load [kg]	Referencia Part Nº
	50 x 50 x 1,5	M12	50	47,5	55	44	600	FCRCM-50.1.5.12
	50 x 50 x 1,5	M14	50	47,5	55	44	600	FCRCM-50.1.5.14
	50 x 50 x 1,5	M16	50	47,5	55	44	600	FCRCM-50.1.5.16
	50 x 50 x 1,5	M20	50	47,5	55	44	600	FCRCM-50.1.5.20
	50 x 50 x 2,0	M12	50	46,5	55	44	600	FCRCM-50.2.12
	50 x 50 x 2,0	M14	50	46,5	55	44	600	FCRCM-50.2.14
	50 x 50 x 2,0	M16	50	46,5	55	44	600	FCRCM-50.2.16
	50 x 50 x 2,0	M20	50	46,5	55	44	600	FCRCM-50.2.20
	50 x 50 x 2,5	M12	50	45,5	55	44	600	FCRCM-50.2.5.12
	50 x 50 x 2,5	M14	50	45,5	55	44	600	FCRCM-50.2.5.14
	50 x 50 x 2,5	M16	50	45,5	55	44	600	FCRCM-50.2.5.16
	50 x 50 x 2,5	M20	50	45,5	55	44	600	FCRCM-50.2.5.20
	50 x 50 x 3,0	M12	50	44,5	55	44	600	FCRCM-50.3.12
	50 x 50 x 3,0	M14	50	44,5	55	44	600	FCRCM-50.3.14
	50 x 50 x 3,0	M16	50	44,5	55	44	600	FCRCM-50.3.16
	50 x 50 x 3,0	M20	50	44,5	55	44	600	FCRCM-50.3.20
50 x 50 x 4,0	M12	50	42,5	55	44	600	FCRCM-50.4.12	
50 x 50 x 4,0	M14	50	42,5	55	44	600	FCRCM-50.4.14	
50 x 50 x 4,0	M16	50	42,5	55	44	600	FCRCM-50.4.16	
50 x 50 x 4,0	M20	50	42,5	55	44	600	FCRCM-50.4.20	
	60 x 60 x 2,0	M12	60	56,5	55	45	600	FCRCM-60.2.12
	60 x 60 x 2,0	M14	60	56,5	55	45	600	FCRCM-60.2.14
	60 x 60 x 2,0	M16	60	56,5	55	45	600	FCRCM-60.2.16
	60 x 60 x 2,0	M20	60	56,5	55	45	600	FCRCM-60.2.20
	60 x 60 x 3,0	M12	60	54,5	55	45	600	FCRCM-60.3.12
	60 x 60 x 3,0	M14	60	54,5	55	45	600	FCRCM-60.3.14
	60 x 60 x 3,0	M16	60	54,5	55	45	600	FCRCM-60.3.16
	60 x 60 x 3,0	M20	60	54,5	55	45	600	FCRCM-60.3.20
	60 x 60 x 4,0	M12	60	52,5	55	45	600	FCRCM-60.4.12
	60 x 60 x 4,0	M14	60	52,5	55	45	600	FCRCM-60.4.14
	60 x 60 x 4,0	M16	60	52,5	55	45	600	FCRCM-60.4.16
	60 x 60 x 4,0	M20	60	52,5	55	45	600	FCRCM-60.4.20

Otras medidas bajo consulta.

Other sizes on request.