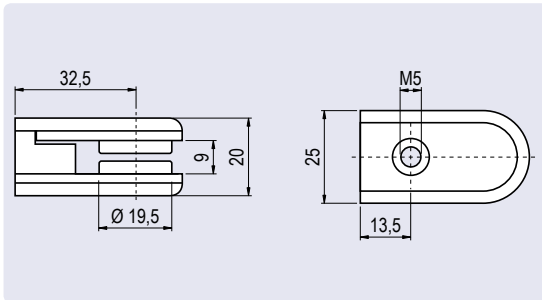


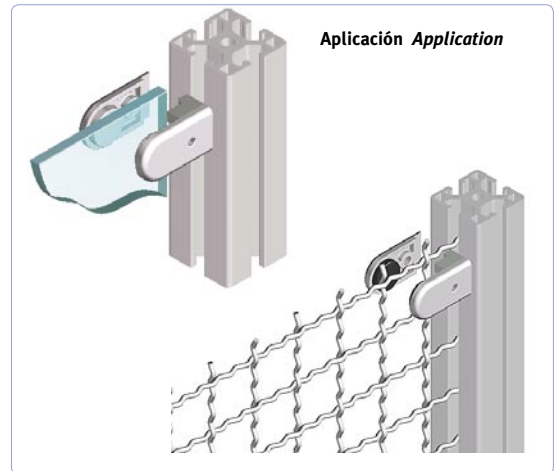
Brida para Panel

Zamak, con kit de montaje



Glass Panel Clamp

Die-cast Zinc, with Mounting Kit



Descripción Para fijar cristales, otros tipos de paneles y mallas metálicas en perfiles de aluminio

Kit de Montaje 1 tornillo M5x16,
5 discos de goma para paneles de 1,5 a 6 mm

Material Zamak

Recubrimiento Epoxy color aluminio

Description To fix glass, other panels and wire mesh frames to profiles

Mounting kit 1 screw M5x16,
5 rubber pads for panels 1.5 - 6 mm

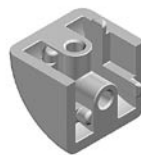
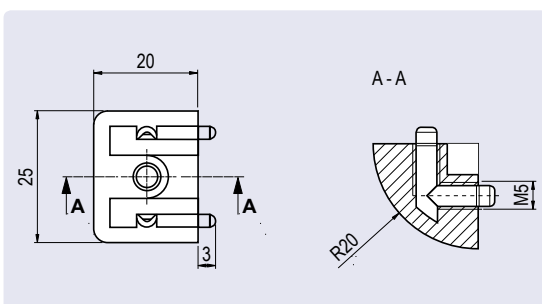
Material Die-cast zinc

Surface Alu colour powder coated

	Peso [g] Weight [g]	Referencia Part N°
Brida para panel + kit <i>Glass Panel Clamp, Kit</i>	74,0	FBRPZ-5

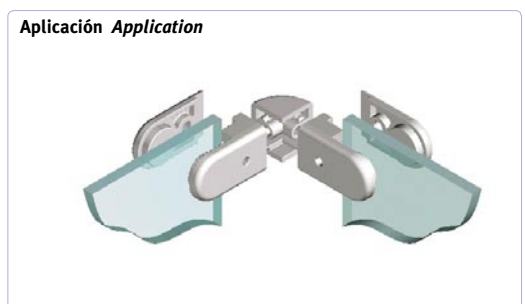
Conector para 'Brida Panel'

Zamak, con kit de montaje



Corner Connection

for Glass Panel Clamp, Die-cast Zinc, with Mounting Kit



Descripción Escuadra para conectar dos paneles utilizando dos bridas para panel

Kit de Montaje 2 tornillos M5x12

Material Zamak

Recubrimiento Epoxy color aluminio

Description To make a corner connection with two panels using two glass panel clamps

Mounting kit 2 screws M5x12

Material Die-cast zinc

Surface Alu colour powder coated

	Peso [g] Weight [g]	Referencia Part N°
Conector para 'Brida Panel' + kit <i>Corner Connector for Glass Panel Clamp, Kit</i>	37,0	FBRPCZ-5