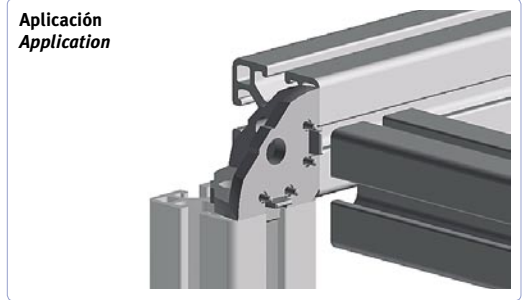
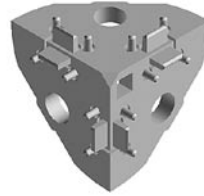
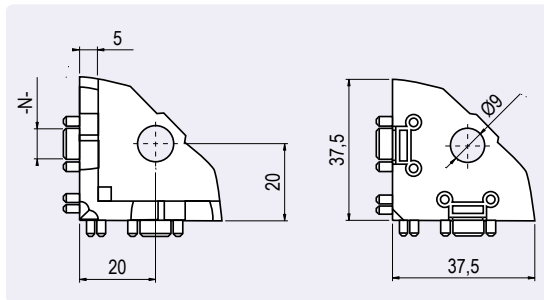
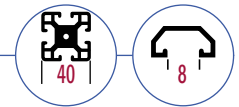


Conector de 3 Perfiles

Zamak, Perfil 40

3-Way Connection Angle

Die-Cast Zinc, Profile 40



Descripción Para conectar hasta 3 perfiles de aluminio
Material Zamak
Recubrimiento Sin recubrimiento

Application To connect up to three aluminium profiles
Material Die-cast zinc
surface Plain

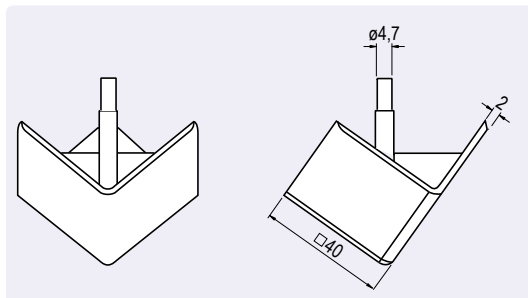
	Canal Slot	para Tornillo for Screw	Peso [g] Weight [g]	Referencia Part N°
Conector 3 Perfiles 3-Way Connection Angle	N= 8	M8	83,0	FC3P-40.8.8

Tapa para Conector de 3 Perfiles

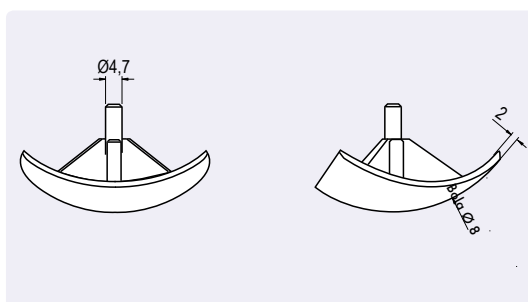
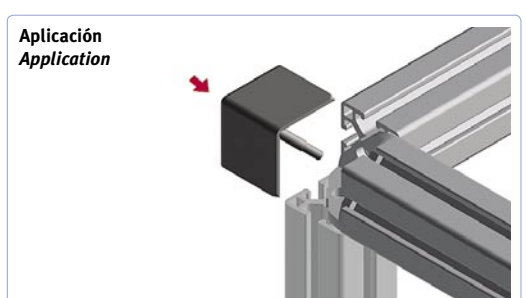
Nylon, Perfil 40

Cover Caps for 3-Way Connection Angle

Nylon, Profile 40



Forma A Shape A



Forma B Shape B



Descripción Para cubrir el 'Conector de 3 Perfiles'
Material Nylon reforzado con fibra de vidrio
Color Negro (otros colores bajo consulta)

Application To cover the 3-way connection angle
Material Fibreglass reinforced nylon
Colour Black (other colours on request)

	Peso [g] Weight [g]	Referencia Part N°
Tapa, Forma A Cover Cap Shape A	15,0	FT3P-A
Tapa, Forma B Cover Cap Shape B	8,0	FT3P-B