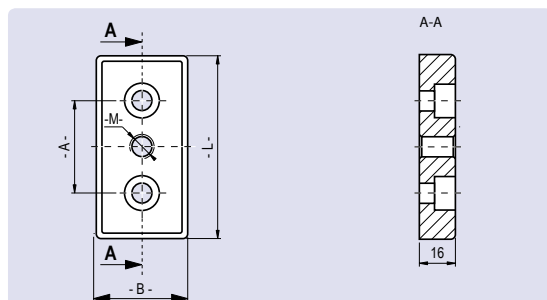
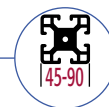


Placa de Montaje 45

Zamak

Transport and Base Plate 45

Die-Cast Zinc



Aplicación
Application



Aplicación Para montar pies niveladores, ruedas para perfil, ganchos o componentes similares
Estos se conectan a los perfiles por un extremo

Application To mount levelling feet, rollers, hooks or similar components
Connects to the profile sideways

Material Zamak

Material Die-cast zinc

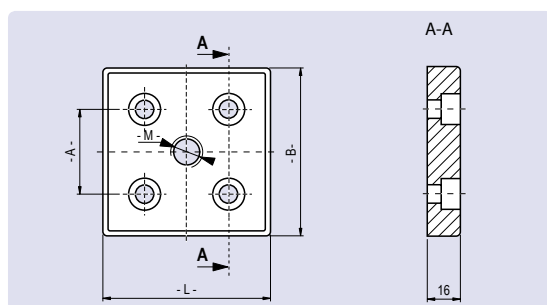
Recubrimiento Epoxy negro / Cincado

Surface Black powder coated / zinc plated

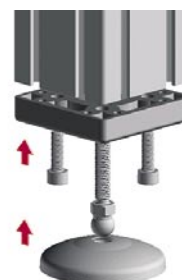
Agujeros de montaje para tornillos DIN 912 M8 y M12 o similares

Mounting holes for screws DIN 912 M8 and M12 or similar.

Placa de Montaje	Medida Size	Distancia entre agujeros [mm] Hole Spacing [mm]	Rosca Thread	Peso [g] Weight [g]	Epoxy Negro Powder Coated	Cincado Zinc Plated
Agujeros para M8 Holes for M8	L x B= 45 x 90	A= 45	M 10	280,0	FPMZ-45.90.10.8.N	FPMZ-45.90.10.8.ZB
			M 12	276,0	FPMZ-45.90.12.8.N	FPMZ-45.90.12.8.ZB
			M 14	270,0	FPMZ-45.90.14.8.N	FPMZ-45.90.14.8.ZB
			M 16	266,0	FPMZ-45.90.16.8.N	FPMZ-45.90.16.8.ZB
			M 20	256,0	FPMZ-45.90.20.8.N	FPMZ-45.90.20.8.ZB
Agujeros para M12 Holes for M12	L x B= 45 x 90	A= 45	M 10	257,0	FPMZ-45.90.10.12.N	FPMZ-45.90.10.12.ZB
			M 12	255,0	FPMZ-45.90.12.12.N	FPMZ-45.90.12.12.ZB
			M 14	253,0	FPMZ-45.90.14.12.N	FPMZ-45.90.14.12.ZB
			M 16	247,0	FPMZ-45.90.16.12.N	FPMZ-45.90.16.12.ZB
			M 20	243,0	FPMZ-45.90.20.12.N	FPMZ-45.90.20.12.ZB



Aplicación
Application



Placa de Montaje	Medida Size	Distancia entre agujeros [mm] Hole Spacing [mm]	Rosca Thread	Peso [g] Weight [g]	Epoxy Negro Powder Coated	Cincado Zinc Plated
Agujeros para M8 Holes for M8	L x B= 90 x 90	A= 45	M 10	522,0	FPMZ-90.90.10.8.N	FPMZ-90.90.10.8.ZB
			M 12	520,0	FPMZ-90.90.12.8.N	FPMZ-90.90.12.8.ZB
			M 14	519,0	FPMZ-90.90.14.8.N	FPMZ-90.90.14.8.ZB
			M 16	516,0	FPMZ-90.90.16.8.N	FPMZ-90.90.16.8.ZB
			M 20	510,0	FPMZ-90.90.20.8.N	FPMZ-90.90.20.8.ZB
Agujeros para M12 Holes for M12	L x B= 90 x 90	A= 45	M 10	482,0	FPMZ-90.90.10.12.N	FPMZ-90.90.10.12.ZB
			M 12	480,0	FPMZ-90.90.12.12.N	FPMZ-90.90.12.12.ZB
			M 14	475,0	FPMZ-90.90.14.12.N	FPMZ-90.90.14.12.ZB
			M 16	471,0	FPMZ-90.90.16.12.N	FPMZ-90.90.16.12.ZB
			M 20	463,0	FPMZ-90.90.20.12.N	FPMZ-90.90.20.12.ZB