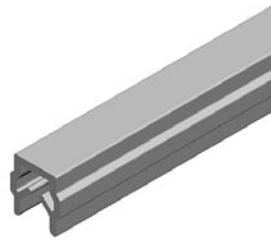
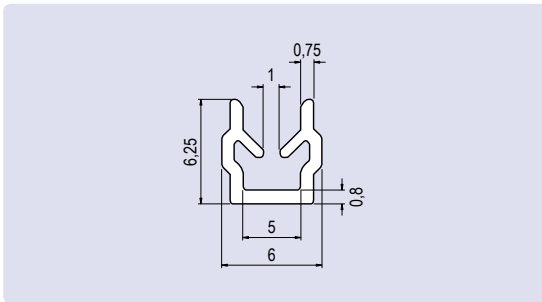


Reductor Cubrecañales Perfil

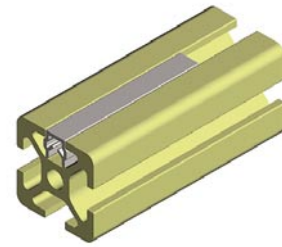
PP, Canal 5

Cover and Reduction Profile

PP, Slot 5



Aplicación
Application



Aplicación Para cubrir canales de 5 mm. y fijar paneles de espesor entre 1 - 3 mm.

Material PP

Color Negro (otros colores bajo consulta)

Unid. Envase 100 x 2 m

Application To cover size 5 profile slots and to secure panels with a thickness of 1 - 3 mm

Material PP

Colour Black (other colours on request)

Pack Quantity 100 x 2 m

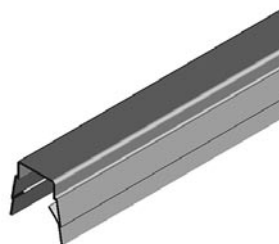
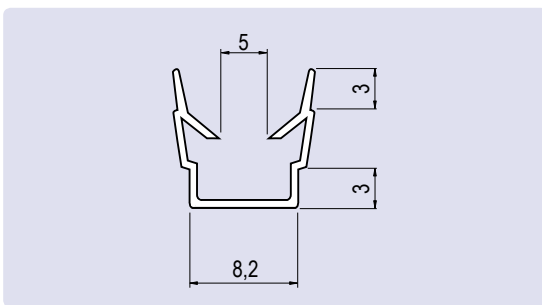
Perfil Profile	Canal Slot	Peso [g/m] Weight [g/m]	Referencia Part Nº
negro black	5	26,0	FCRP-5.N

Reductor Cubrecañales Perfil

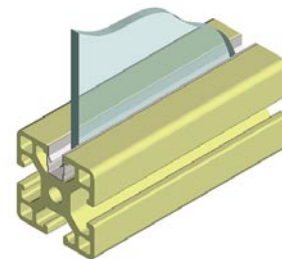
PP, Canal 8

Cover and Reduction Profile

PP, Slot 8



Aplicación
Application



Aplicación Para cubrir canales de 8 mm. y fijar paneles de espesor entre 4 - 6 mm.

Material PP

Color Negro / natural (otros colores bajo consulta)

Unid. Envase 100 x 2 m

Application To cover size 8 profile slots and to secure panels with a thickness of 4 - 6 mm

Material PP

Colour Black / natural (other colours on request)

Pack Quantity 100 x 2 m

Perfil Profile	Canal Slot	Peso [g/m] Weight [g/m]	Referencia Part Nº
negro black	8	26,0	FCRP-8.N
natural natural	8	26,0	FCRP-8.BR