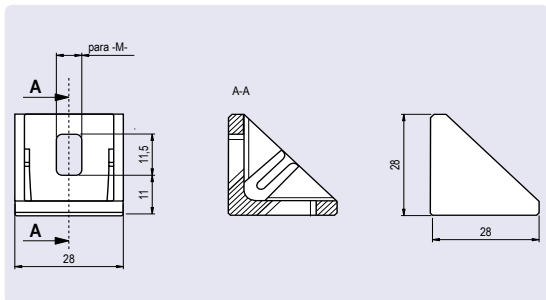


Escuadra 30

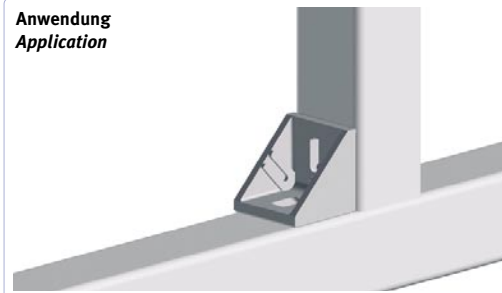
Zamak

Connection Angle 30

Die-cast Zinc



Anwendung
Application



Descripción Para conectar perfiles y paneles de forma perpendicular

Material Zamak

Recubrimiento Sin recubrimiento / Epoxy color aluminio (otros acabados bajo consulta)

Description To connect profiles and panels rectangularly

Material Die-cast zinc

Surface Plain / alu colour powder coated (other surfaces on request)

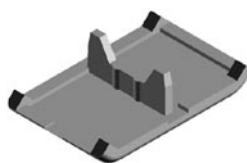
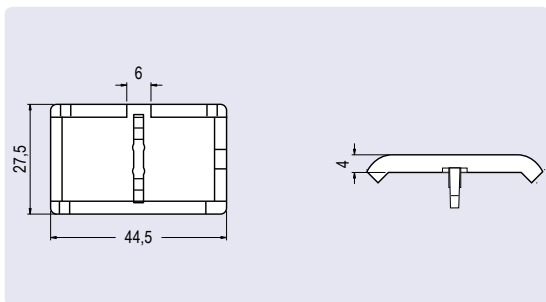
| Escuadra Angle 28x28x28 | para Tornillo for Screw | Peso [g] Weight [g] | Referencia Part N° |
|---------------------------|-------------------------|---------------------|--------------------|
| Sin recubrimiento Plain | M6 | 41,0 | FE2Z-30 6.BR |
| Color Aluminio Alu colour | M6 | 41,4 | FE2Z-30 6.AL |

Tapa para Escuadra 30

Nylon

Cover Cap for Connection Angle 30

Nylon



Aplicación
Application



Descripción Para cubrir la 'Escuadra 30'

Material Nylon reforzado con fibra de vidrio

Color Negro (otros colores bajo consulta)

Description To cover the connection angle 30

Material Fibreglass reinforced nylon

Colour Black (other colours on request)

| Tapa para Escuadra 28x28x28 Cover Cap for Angle 28x28x28 | Peso [g] Weight [g] | Referencia Part N° |
|---|---------------------|--------------------|
| | 4,2 | FTE2N-30 |



'Centradores Traseros' para perfiles de aluminio

La 'Escuadra 30' puede suministrarse con centradores traseros para las ranuras de los perfiles de aluminio (Canal de 8 y 10).

Locating pins for aluminum profile systems

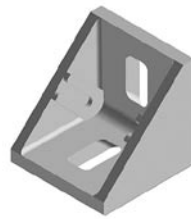
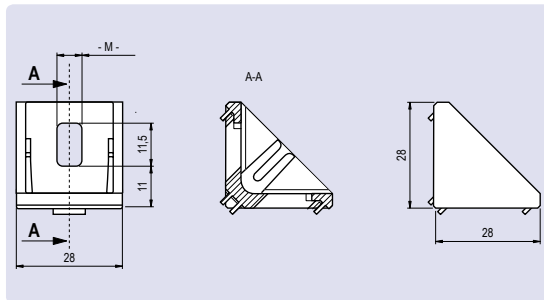
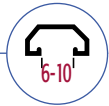
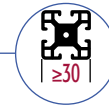
The connection angle 30 can be supplied with locating pins for the slots of aluminium profiles (slot 8 and 10).

Escuadra 30

Zamak, para Perfiles de 30 en adelante

Connection Angle 30

Die-cast Zinc, Profile 30 and up



Descripción Para conectar perfiles y paneles de forma perpendicular

Material Zamak

Recubrimiento Sin recubrimiento / Epoxy color aluminio (otros acabados bajo consulta)

Description To connect profiles and panels rectangularly

Material Die-cast zinc

Surface Plain / alu colour powder coated (other surfaces on request)

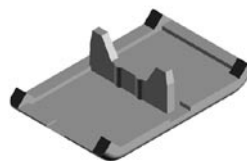
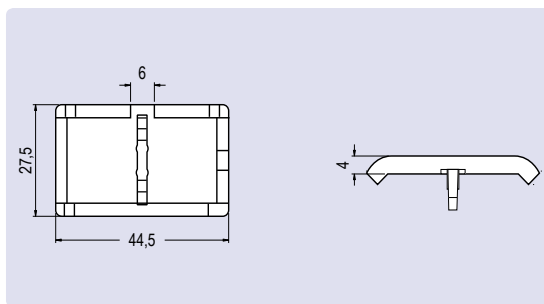
| Escuadra Angle 28x28x28 | Canal Slot | para Tornillo for Screw | Peso [g] Weight [g] | Referencia Part Nº |
|-------------------------------------|------------|-------------------------|---------------------|--------------------|
| Sin recubrimiento <i>Plain</i> | N= 6 | M6 | 42,0 | FE2Z-30.6.6.BR |
| | N= 8 | M6 | 42,0 | FE2Z-30.8.6.BR |
| | N= 10 | M6 | 42,0 | FE2Z-30.10.6.BR |
| Color Aluminio <i>Alu colour</i> | N= 6 | M6 | 42,0 | FE2Z-30.6.6.AL |
| | N= 8 | M6 | 42,0 | FE2Z-30.8.6.AL |
| | N= 10 | M6 | 42,0 | FE2Z-30.10.6.AL |

Tapa para Escuadra 30

Nylon

Cover Cap for Connection Angle 30

Nylon



Descripción Para cubrir la 'Escuadra 30'

Material Nylon reforzado con fibra de vidrio

Color Negro (otros colores bajo consulta)

Description To cover the connection angle 30

Material Fibreglass reinforced nylon

Colour Black (other colours on request)

| | Peso [g] Weight [g] | Referencia Part Nº |
|---|---------------------|--------------------|
| Tapa para Escuadra 28x28x28 Cover Cap for Angle 28x28x28 | 4,2 | FTE2N-30 |