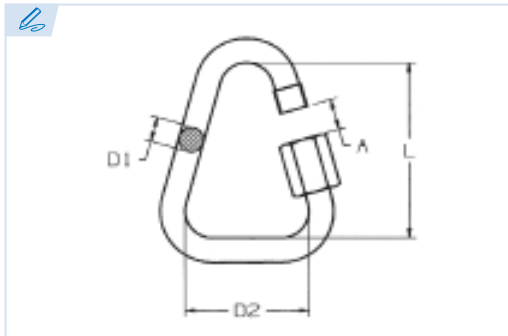


## E6600

PATENTE REGISTRADA  
PATENTS FILED



BREVETS DÉPOSÉS  
PATENTE REGISTRADA



**Malla rápida triangular**  
*Triangular quick link*  
*Maillon rapide triangulaire*  
*Elo triangular com fecho rápido*


**Acero Fe 430 B**

*Steel Fe 430 B*

*Acier Fe 430 B*

*Aço Fe 430 B*

Conforme a la directiva europea 2006/42/CE  
*In accordance with the new european directive 2006/42/CE.*  
Conforme à la directive européenne machines 2006/42/CE.  
*Conforme a norma europeia 2006/42/CE.*

Ref.	Medida	A	D1	D2	L	 Kg.
E6600-4	4	5,5	4	27,5	32	0,014
E6600-6	6	7,5	6	35	44	0,039
E6600-8	8	10	8	40	57	0,086
E6600-10	10	12	10	46	67	0,152
E6600-12	12	15	12	51	80	0,256

