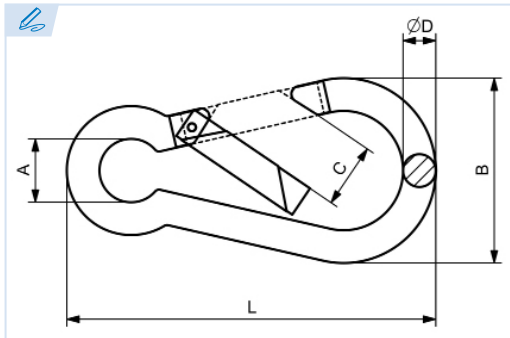


E6640

PATENTE REGISTRADA
PATENTS FILED



BREVETS DÉPOSÉS
PATENTE REGISTRADA



Mosquetón aluminio pintado
Coloured aluminium snap hook
Mousqueton de couleur en aluminium
Mosquetão de alumínio colorido

Aluminio
Aluminium
Aluminium
Alumínio

Colores disponibles: rojo/verde/azul/oro/negro
Available colors: red / green / blue / gold / black
Couleurs disponibles: rouge / vert / bleu / or / noir
Cores disponíveis: vermelho / verde / azul / ouro / preto

Conforme a la directiva europea 2006/42/CE
In accordance with the new european directive 2006/42/CE.
Conforme à la directive européenne machines 2006/42/CE.
Conforme a norma europeia 2006/42/CE.

Ref.	Medida	A	B	C	D	L	Kg.
E6640-5-50	5 x 50	7.5	25	11	4.4	50	0,004
E6640-6-60	6 x 60	10	30	12	5.2	60	0,008
E6640-7-70	7 x 70	12	35	15	6.2	70	0,013
E6640-8-80	8 x 80	12.5	38	17	7.2	80	0,019
E6640-10-100	10 x 100	15	63	23	8.6	100	0,046

