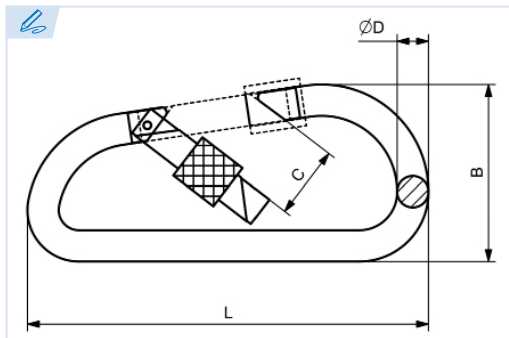


E6660

PATENTE REGISTRADA
PATENTS FILED



BREVETS DÉPOSÉS
PATENTE REGISTRADA



Mosquetón aluminio pintado con virola

Coloured aluminium snap hook with safety screw
Mousqueton de couleur en aluminium avec frette
Mosquetão de alumínio colorido com parafuso de segurança

Aluminio

Aluminium

Aluminium

Alumínio

Colores disponibles: rojo/verde/azul/oro/negro

Available colors: red / green / blue / gold / black

Couleurs disponibles: rouge / vert / bleu / or / noir

Cores disponíveis: vermelho / verde / azul / ouro / preto

Conforme a la directiva europea 2006/42/CE

In accordance with the new european directive 2006/42/CE.

Conforme à la directive européenne machines 2006/42/CE.

Conforme a norma europeia 2006/42/CE.

Ref.	Medida	B	C	D	L	Kg.
E6660-5-50	5x50	26	13	4.4	48	0,005
E6660-6-60	6x60	30	14	5.2	58	0,008
E6660-7-70	7x70	35	17	6.2	67	0,015
E6660-8-80	8x80	42	19	7.2	77	0,025
E6660-10-100	10x100	55	25	8.6	99	0,034