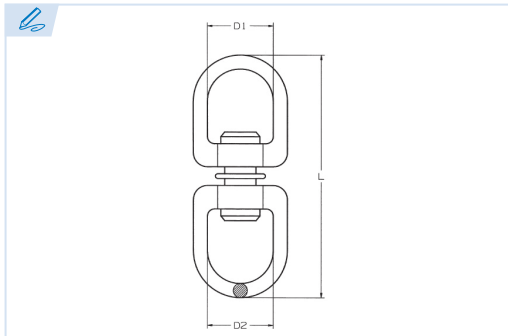


E6730

PATENTE REGISTRADA
PATENTS FILED



BREVETS DÉPOSÉS
PATENTE REGISTRADA



Grillete giratorio niquelado

Nikel-plated swivel

Emerillon nickelé

Destorcedore niquelado

Hierro fundido

Cast iron

Fonte

Ferro fundido

Conforme a la directiva europea 2006/42/CE

In accordance with the new european directive 2006/42/CE.

Conforme à la directive européenne machines 2006/42/CE.

Conforme a norma europeia 2006/42/CE.

Ref.	Medida	D1	D2	L
E6730-13	13 x 13	13	13	50
E6730-16	16 x 16	16	16	60
E6730-20	20 x 20	20	20	65
E6730-22	22 x 22	22	22	70
E6730-25	25 x 25	25	25	78

