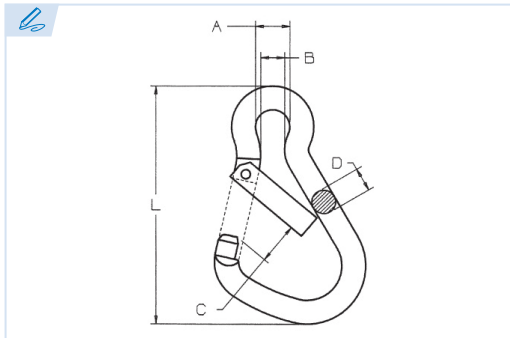


**E6750**

PATENTE REGISTRADA  
PATENTS FILED



BREVETS DÉPOSÉS  
PATENTE REGISTRADA



**Mosquetón acero galvanizado**  
Galvanized snap hook  
Mousqueton acier zingué  
Mosquetão de aço galvanizado

**Acero**  
Steel  
Acier  
Aço

Conforme a la directiva europea 2006/42/CE  
In accordance with the new european directive 2006/42/CE.  
Conforme à la directive européenne machines 2006/42/CE.  
Conforme a norma europeia 2006/42/CE.

Ref.	Medida	A	B	C	D	L	Carga de Rotura	Kg.
E6750-50	50	7,5	5	9	5	52	SWL - 150 Kg	0,02
E6750-60	60	8	5,5	12	6	65	SWL - 150 Kg	0,03
E6750-80	80	12	9	18	8	85	9 KN	0,07
E6750-100	100	13	10	19	10	100	17 KN	0,14
E6750-120	120	18	15	26	11	125	22 KN	0,2

