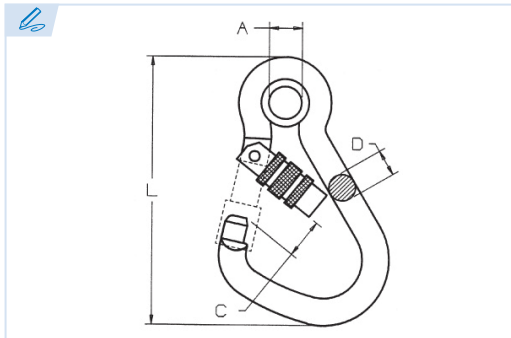


E6770

PATENTE REGISTRADA
PATENTS FILED



BREVETS DÉPOSÉS
PATENTE REGISTRADA



Mosquetón galvanizado con anillo
Galvanized snap hook with ring
Mousqueton zingué avec anneau
Mosquetão galvanizado com anel

Acero

Steel

Acier

Aço

Conforme a la directiva europea 2006/42/CE
In accordance with the new european directive 2006/42/CE.
Conforme à la directive européenne machines 2006/42/CE.
Conforme a norma europeia 2006/42/CE.

Ref.	Medida	A	C	D	L	Carga de Rotura	Kg.
E6770-80	80	10	17	8	85	9	0,08
E6770-100	100	11,5	17	10	100	17	0,15
E6770-120	120	15	23	11	125	22	0,22

