

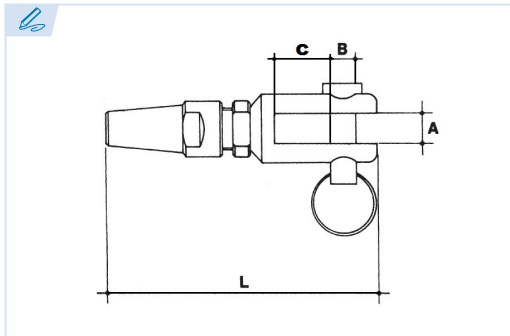
E7220

PATENTE REGISTRADA
PATENTS FILED



BREVETS DÉPOSÉS
PATENTE REGISTRADA

INOX



Terminal rápido con horquilla de acero inoxidable
Stainless steel swift fork terminal
Embout rapid à chape en acier inox
Terminal inox rápido com forqueta

Acero AISI 316

Steel AISI 316

Acier AISI 316

Aço AISI 316

Conforme a la directiva europea 2006/42/CE

In accordance with the new european directive 2006/42/CE.

Conforme à la directive européenne machines 2006/42/CE.

Conforme a norma europeia 2006/42/CE.

| Ref. | Medida | A | B | C | L | Kg. |
|----------|--------|----|----|----|-----|------|
| E7220-3 | 3 | 6 | 6 | 11 | 67 | 0,03 |
| E7220-4 | 4 | 8 | 6 | 15 | 84 | 0,05 |
| E7220-5 | 5 | 10 | 8 | 14 | 85 | 0,09 |
| E7220-6 | 6 | 10 | 10 | 14 | 98 | 0,14 |
| E7220-7 | 7 | 12 | 8 | 12 | 85 | 0,14 |
| E7220-8 | 8 | 12 | 10 | 16 | 96 | 0,21 |
| E7220-10 | 10 | 14 | 12 | 20 | 120 | 0,4 |

