

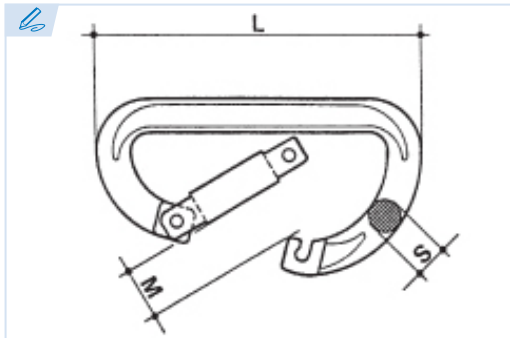
**E7420**

PATENTE REGISTRADA  
PATENTS FILED



BREVETS DÉPOSÉS  
PATENTE REGISTRADA

**INOX**



**Mosquetón asimétrico de acero inoxidable**  
*Stainless steel asymmetrical snap hook*  
Mousqueton asymétrique en acier inox  
*Mosquetão assimétrico inox*

**Acero AISI 316**

*Steel AISI 316*

*Acier AISI 316*

*Aço AISI 316*

Conforme a la directiva europea 2006/42/CE  
*In accordance with the new european directive 2006/42/CE.*  
Conforme à la directive européenne machines 2006/42/CE.  
*Conforme a norma europeia 2006/42/CE.*

Ref.	L	M	S	Kg.
E7420-80	80	12	8	0,07
E7420-100	100	18	10	0,13

