

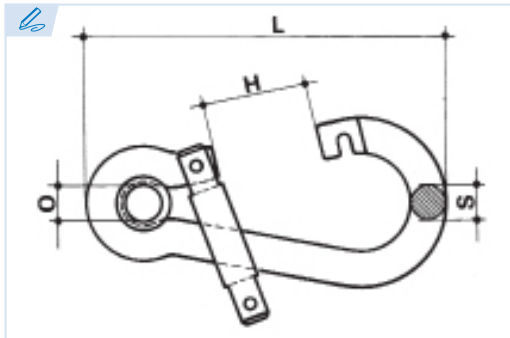
E7440

PATENTE REGISTRADA
PATENTS FILED



BREVETS DÉPOSÉS
PATENTE REGISTRADA

INOX



Mosquetón bombero apertura especial con anillo de acero inoxidable
Stainless steel snap hook with eye and special opening
Mousqueton en acier inox avec ouverture speciale
Mosquetão com abertura especial e olhal inox

Acero AISI 316
Steel AISI 316
Acier AISI 316
Aço AISI 316

Conforme a la directiva europea 2006/42/CE
In accordance with the new european directive 2006/42/CE.
Conforme à la directive européenne machines 2006/42/CE.
Conforme a norma europeia 2006/42/CE.

Ref.	M	L	S	O	H	Kg.
E7440-80	80	80	8	10	19	0,07
E7440-100	100	100	10	14	22	0,13

