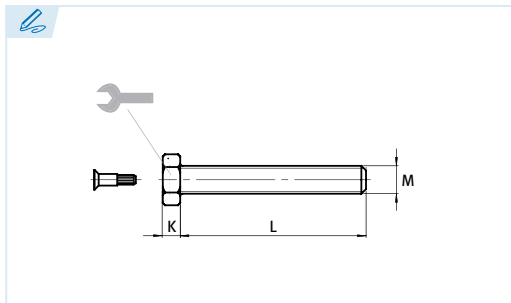




ES Pies ECO | EN ECO Feet | FR Pieds ECO | PT Pés ECO



Caña roscada para pie Eco

Threaded rod for Eco feet
Tige filetée pour pieds Eco
Haste roscada para pé Eco

Acero cincado

Zinc plated steel
Acier zingué
Aço zincado

Otras medidas bajo consulta.
Other sizes on request.
Autres dimensions sur demande.
Outras medidas disponíveis sob consulta.

ES EN FR PT

Carga máxima (Kg)
MAX (kg)
Max. Load (kg)
Capacité de charge (kg)
Carga máxima (kg)

Llave Boca
Wrench
Clé
Chave de Boca

| Ref. | MxL | K | MAX (kg) | | gr. |
|-------------|--------|-----|----------|----|-----|
| FCEA-8-25 | 8x25 | 5,3 | 350 | 13 | 12 |
| FCEA-8-40 | 8x40 | 5,3 | 350 | 13 | 17 |
| FCEA-8-50 | 8x50 | 5,3 | 350 | 13 | 20 |
| FCEA-8-70 | 8x70 | 5,3 | 350 | 13 | 26 |
| FCEA-8-80 | 8x80 | 5,3 | 350 | 13 | 29 |
| FCEA-8-100 | 8x100 | 5,3 | 350 | 13 | 35 |
| FCEA-8-120 | 8x120 | 5,3 | 350 | 13 | 41 |
| FCEA-10-25 | 10x25 | 6,4 | 470 | 17 | 22 |
| FCEA-10-40 | 10x40 | 6,4 | 470 | 17 | 30 |
| FCEA-10-50 | 10x50 | 6,4 | 470 | 17 | 35 |
| FCEA-10-70 | 10x70 | 6,4 | 470 | 17 | 44 |
| FCEA-10-80 | 10x80 | 6,4 | 470 | 17 | 49 |
| FCEA-10-100 | 10x100 | 6,4 | 470 | 17 | 58 |

| Ref. | MxL | K | MAX (kg) | | gr. |
|-------------|--------|-----|----------|----|-----|
| FCEA-10-120 | 10x120 | 6,4 | 470 | 17 | 69 |
| FCEA-12-25 | 12x25 | 7,5 | 770 | 19 | 34 |
| FCEA-12-40 | 12x40 | 7,5 | 770 | 19 | 44 |
| FCEA-12-50 | 12x50 | 7,5 | 770 | 19 | 51 |
| FCEA-12-70 | 12x70 | 7,5 | 770 | 19 | 65 |
| FCEA-12-80 | 12x80 | 7,5 | 770 | 19 | 72 |
| FCEA-12-100 | 12x100 | 7,5 | 770 | 19 | 86 |
| FCEA-12-120 | 12x120 | 7,5 | 770 | 19 | 100 |
| FCEA-16-40 | 16x40 | 10 | 1.450 | 24 | 87 |
| FCEA-16-50 | 16x50 | 10 | 1.450 | 24 | 99 |
| FCEA-16-70 | 16x70 | 10 | 1.450 | 24 | 123 |
| FCEA-16-100 | 16x100 | 10 | 1.450 | 24 | 165 |
| FCEA-16-150 | 16x150 | 10 | 1.450 | 24 | 231 |

